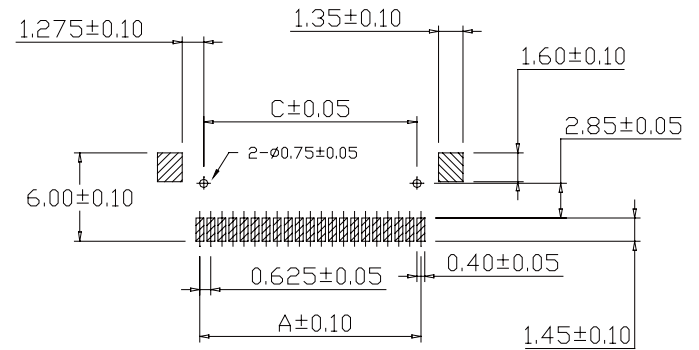
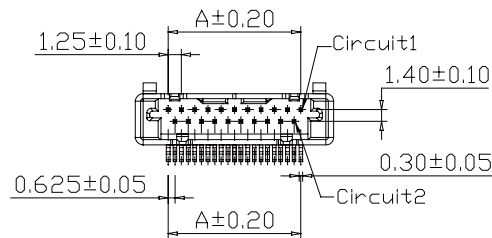


BY	CHK	REVISION RECORD MODIFICATIONS	DATE	REV.
ALLEN		RELEASE TO PRODUCTION	2007,9,3	1.0

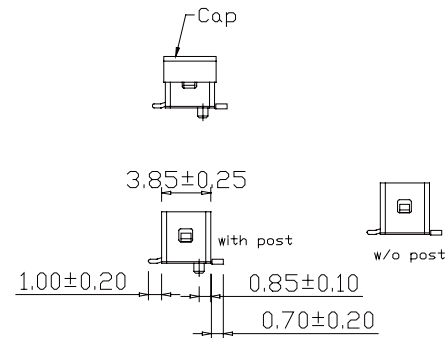
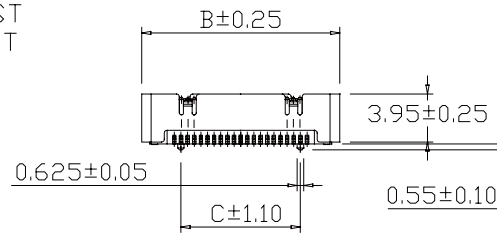
SPECIFICATIONS
 Current Rating: 1A AC,DC
 Voltage Rating: 200V AC,DC
 Temperature Range: -25°C ~ +85°C
 Contact Resistance: 40mΩ Max
 Insulation Resistance: 100mΩ Min
 Withstanding Voltage: 500V AC/minute
 Pin Material: Phosphor Bronze/Gold-plated 3u"
 Shell: Phosphor Bronze/Tin-plated
 Cap: Nylon 6T, UL94V-0, Natural(Black)
 Material: Nylon 6T, UL94V-0
 Color: Natural(Black)



Part No.: 1256M S-XXTB -U

1: WITH POST
 2: W/O POST

CONTACT	Dimensions		
	A	B	C
21	12.50	16.85	11.25
31	18.75	23.10	17.50



APPRO	CHECK	DRAWN	PART NO.	Part No.:1256MS-XXTB-U	DESCRIPTION	
			ITEM NO.			
			DRAW NO.			
			UNIT	mm SCALE no		
			TOLER	NO.		
					Tel: 0769 22020068 Fax: 0769 22020069 E-mail: sales@vigortec.com	